

Tank Systems



Description

With increasing demands on functional integration and cost efficiency, plastics are gaining in importance as a material in tank production. ARGO-HYTOS has produced injection molded tanks for numerous applications in mobile hydraulics, in which several functions, such as a return filter, are integrated.

Function

The ARGO-HYTOS tank solutions allow a very high degree of freedom in design, which means that even limited space can be optimally utilized. In addition to the filter housing and the filling strainer, also an oil level indicator can be integrated in the tank. Another positive feature is the "quick connect" system, for whose assembly no tools are needed. The connectors are simply plugged onto the corresponding tank nozzles and fixed by a locking clip.

Integrated filter functions

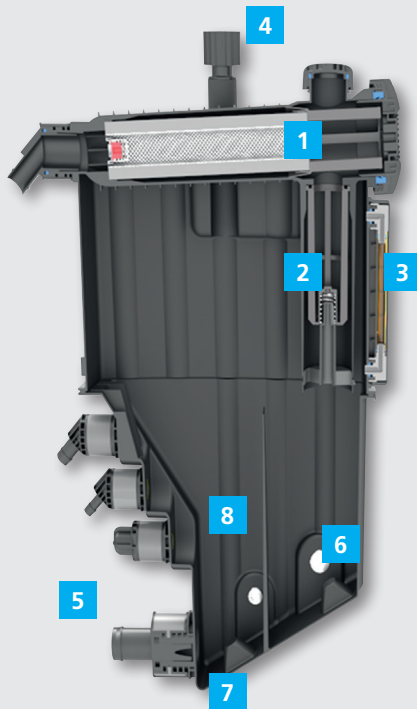
- › Return filter 10EX2 ... 30P
- › Suction filter 16 E ... 280 µm
- › Ventilating filter 2CL
- › Filling filter 140 ... 450 µm

Technical data

Tank volume V_{max}	Up to 60 l
Temperature T_{max}	- 30 °C ... + 100 °C Temporary up to +120 °C
Fluids	Mineral oil and biodegradable fluids Hydraulic fluids (HEES and HETG, see info sheet 00.20-e)

Application examples

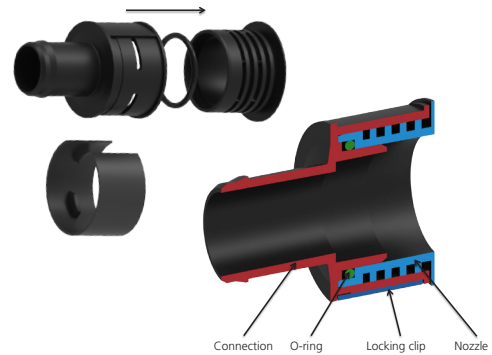




Function

Positive aspects of functional integration

- 1 Filter housing can be integrated in the tank
- 2 Filling strainer can be integrated in the tank
- 3 Integrated oil level indicator
- 4 Ventilating filter with rollover protection valve
- 5 Quick connect ports (see figure below)
- 6 Sensor connections
- 7 Oil drain plug
- 8 Baffle



"Quick connect" system technology



Advantages of the injection molded ARGO-HYTOS tank

- › Installation of a complete module into the machine
- › High mechanical strength and thermal stability by using polyamide
- › External return filter is no longer needed due to integration in the tank
- › Tank module fulfills very high cleanliness requirements by injection molding technology
- › Quick connect ports

Benefits

- › High cost savings
- › Short assembly time
- › Excellent component cleanliness
- › Optimum use of space